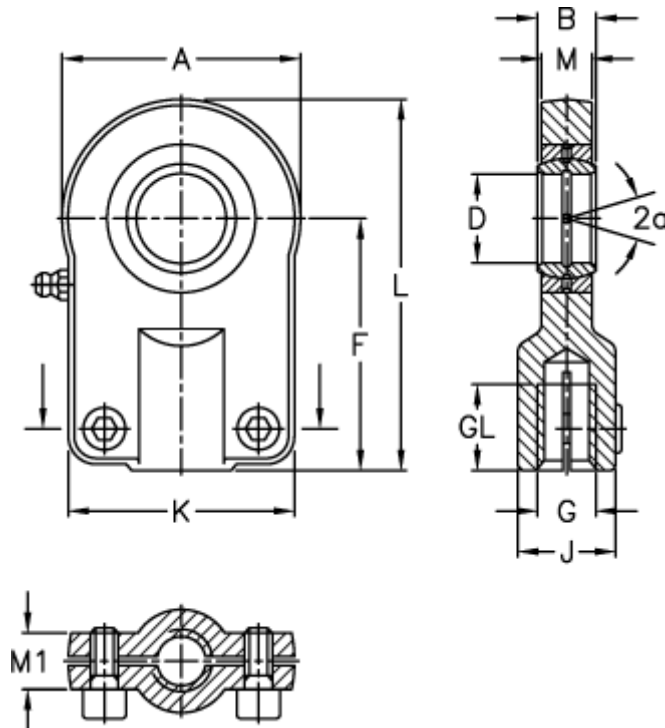


Article number: 03550025

Description: Fluro hydraulic rod end FPR 25S

Measures



A	= 65	J	= 30
a (degrees)	= 7	K	= 62
B	= 20	L	= 100.5
D	= 25	M	= 17
Dynamic load C (kN)	= 48	M1	= 17
F	= 68	Static load C0 (kN)	= 67
g	= M16x1,5	Torque (N m)	= 25
GL	= 23	Weight	= 730